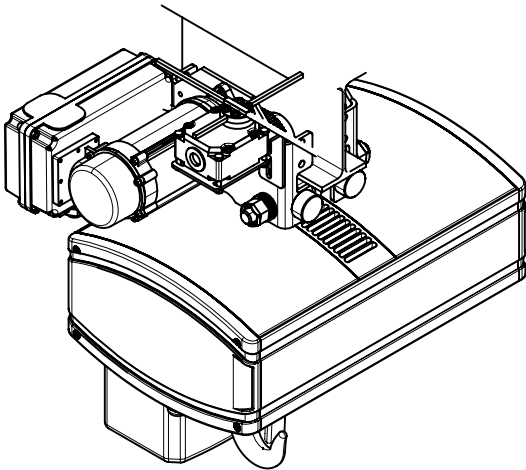
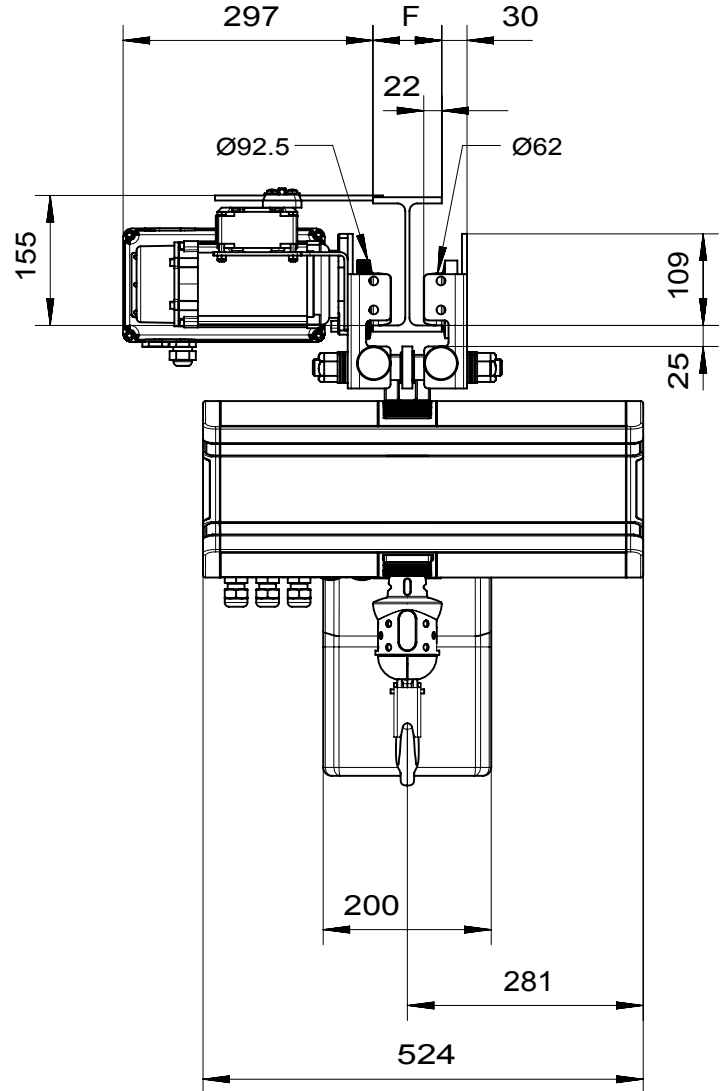
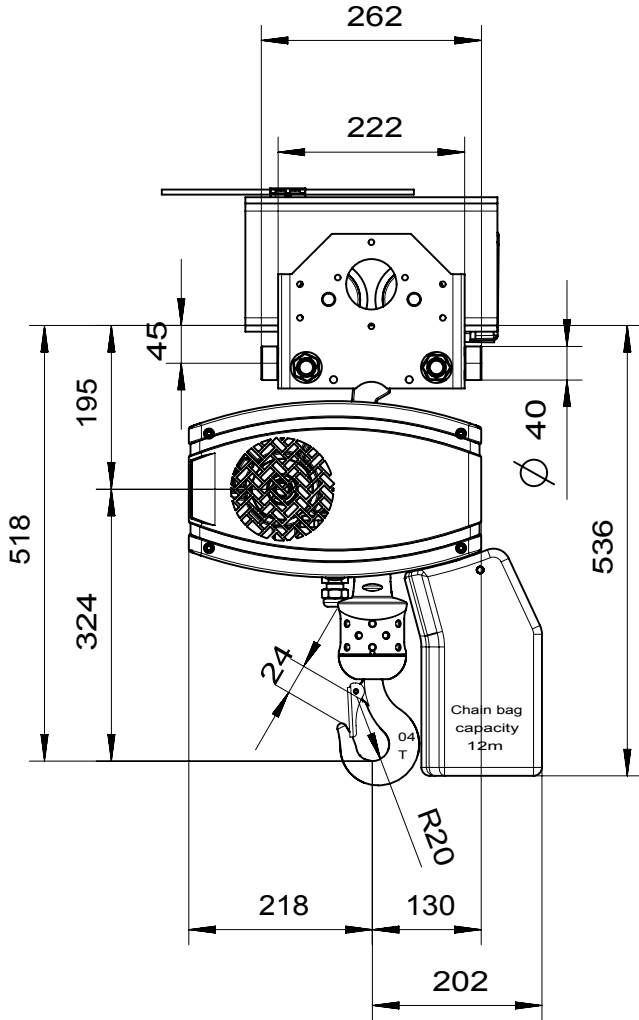


## Fixed to normal electric travel trolley C1 (perpendicular version)



$$55 < F < 310$$

	Without chain	With 3m of chain
Weight	70.8 kg	74.1 kg